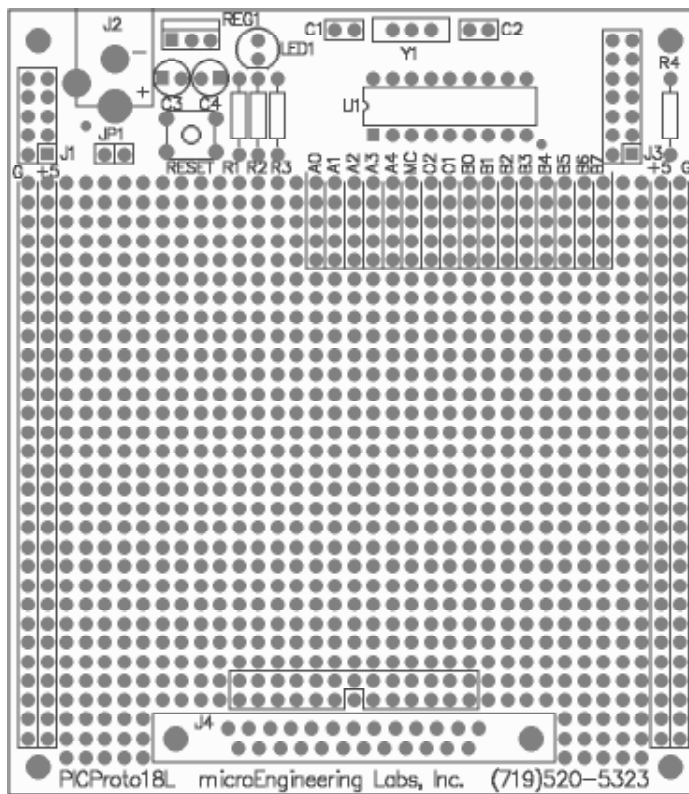


PICPROTO™18L Prototyping Board

Copyright ©2006 microEngineering Labs, Inc.

\$19⁹⁵

- ❖ High quality double-sided board
- ❖ Solder mask both sides
- ❖ Hundreds of plated-through holes
- ❖ 4 mounting holes
- ❖ Overall dimensions 3.6" X 4.1"



U1 - PIC16C52, 54, 56, 58, 554, 558, 61, 620, 621, 622, 71, 710, 711, 712, 715, 716, 717, 84, 16CE623, 624, 625, 16F54, 627, 628, 648A, 716, 818, 819, 83, 84, 87, 88, 16HV540, 18F1220, 1230, 1320 or 1330

Y1 - crystal or ceramic resonator
 C1,2 - crystal capacitors
 C3 - input capacitor
 C4 - bypass capacitor
 REG1 - 5 volt regulator
 LED1 - LED
 R1 - RESET series resistor
 R2 - Master Clear resistor
 R3 - LED series resistor
 R4 - LCD contrast resistor
 RESET - 4.5mm x 6.5mm push button
 J1 - melabs ICP connector
 J2 - Vin connector
 J3 - LCD connector
 J4 - DB9, 15, or 25

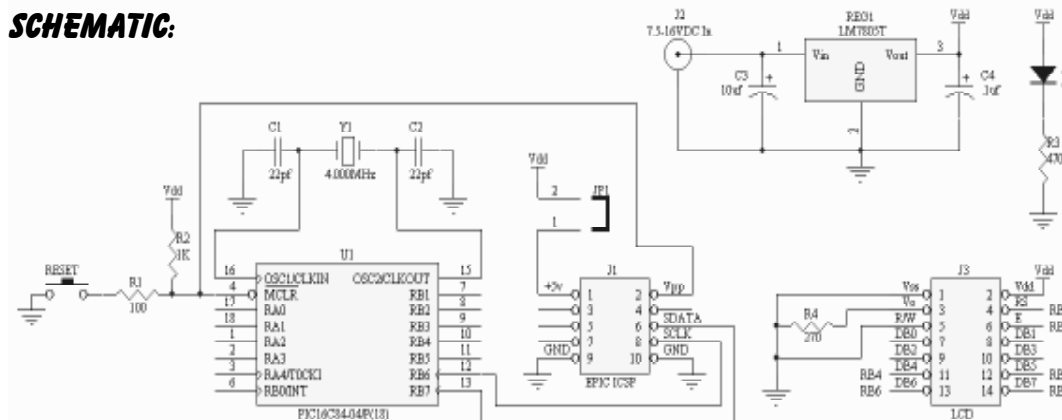
SUGGESTED PARTS:

- Y1 - 4MHz crystal
- C1,2 - 22pf ceramic disk capacitors
- C3 - 10uf radial electrolytic capacitor
- C4 - .1uf monolythic capacitor
- REG1 - 7805T 5 volt regulator
- R1 - 100 ohm resistor
- R2 - 4.7k ohm resistor
- R3 - 470 ohm resistor
- R4 - 270 ohm resistor

ASSEMBLY NOTES:

Pin 1 of U1, REG1, J1 and J3 is marked with a square pad.
 Note polarity of Vin, REG1, LED1 and any polarized capacitors.
 The outlined pads above J4 connect to J4.
 JP1 may be used to connect +5 on the PP18L to +5 on ICP conn.
 All unused inputs should be tied to +5V or ground.

SCHEMATIC:



SOURCES:

PIC® documentation is available from:
 Microchip Technology Inc.
 2355 West Chandler Blvd.
 Chandler AZ 85224-6199
 (480) 792-7200
 (480) 792-7277 fax

microEngineering Labs, Inc.

Box 60039 Colorado Springs CO 80960
 (719) 520-5323 (719) 520-1867 fax

<http://www.melabs.com>
 email: support@melabs.com