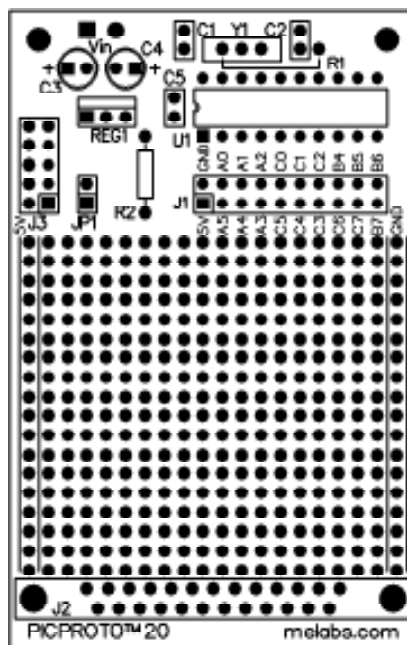


PICPROTO™20 Prototyping Board

Copyright ©2006 microEngineering Labs, Inc.

\$12⁹⁵

- ❖ High quality double-sided board
- ❖ Solder mask both sides
- ❖ Over 400 plated-through holes
- ❖ 4 mounting holes
- ❖ Overall dimensions 2.1" X 3.3"



U1 - PIC12C508, 509, 671, 672, 12CE518, 519, 673, 674, 12F508, 509, 510, 629, 635, 675, 683, 16C505, 16F505, 506, 616, 630, 636, 639, 676, 684, 685, 687, 688, 689, 690, 785, 16HV616 or 785

Y1 - crystal or ceramic resonator
 C1, 2 - crystal capacitors
 C3 - input capacitor
 C4 - output capacitor
 C5 - bypass capacitor
 R1 - RC oscillator resistor
 R2 - MCLR pull-up resistor
 REG1 - 5 volt regulator
 J1 - I/O connector
 J2 - DB9, 15, or 25 connector
 J3 - melabs ICP connector

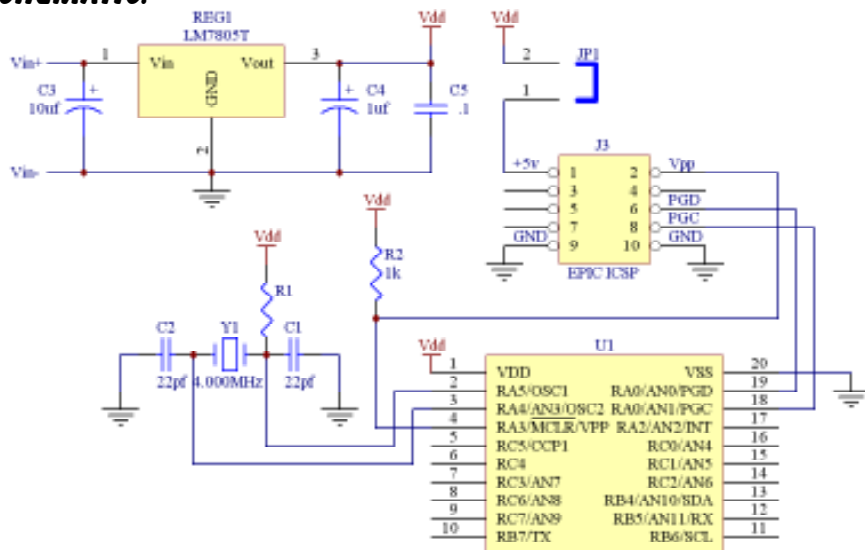
SUGGESTED PARTS:

C1,2 - 22pf ceramic disk capacitors
 C3 - 10uf radial electrolytic capacitor
 C4 - 1uf radial electrolytic capacitor
 C5 - .1uf monolithic capacitor
 R1 - Not used with crystal
 R2 - 4.7k ohm resistor
 REG1 - 7805T 5 volt regulator
 Y1 - 4MHz crystal

ASSEMBLY NOTES:

Pin 1 of U1 is marked with a square pad.
 Line up pin 1 of 8-, 14- and 20-pin devices with square pad.
 Note polarity of Vin, REG1 and any polarized capacitors.
 Don't forget to add pull-up resistor R2 if MCLR is enabled.
 All unused inputs should be tied to +5V or ground.

SCHEMATIC:



SOURCES:

PIC®documentation is available from:
 Microchip Technology Inc.
 2355 West Chandler Blvd.
 Chandler AZ 85224-6199
 (480) 792-7200
 (480) 792-7277 fax

microEngineering Labs, Inc.

Box 60039 Colorado Springs CO 80960
 (719) 520-5323 (719) 520-1867 fax

<http://www.melabs.com>
 email: support@melabs.com