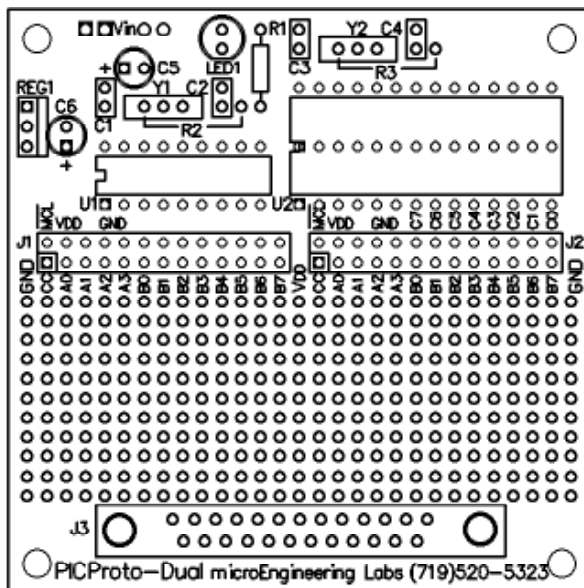


PICPROTO™ Dual Prototyping Board

Copyright ©2006 microEngineering Labs, Inc.

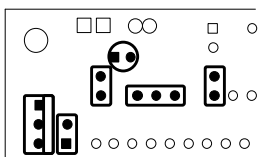
\$14⁹⁵

- ❖ High quality double-sided board
- ❖ Solder mask both sides
- ❖ More than 400 plated-through holes
- ❖ 4 mounting holes
- ❖ Overall dimensions 3" X 3"

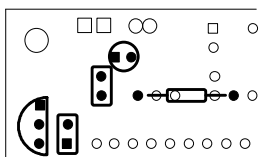


- U1 - PIC16C52, 54, 56, 58, 554, 558, 61, 620, 621, 622, 71, 710, 711, 712, 715, 716, 717, 84, 16CE623, 624, 625, 16F54, 627, 628, 648A, 716, 818, 819, 83, 84, 87, 88, 16HV540, 18F1220, 1230, 1320 or 1330
- U2 - PIC16C55, 57, 16F57
- Y1, 2 - crystals or ceramic resonators
- C1-4 - crystal capacitors
- C5 - input capacitor
- C6 - bypass capacitor
- REG1 - 5 volt regulator
- LED1 - LED
- R1 - LED series resistor
- R2, 3 - RC oscillator resistors
- J1, 2 - I/O connectors
- J3 - DB9, 15, or 25

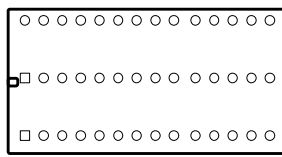
PARTS PLACEMENT:



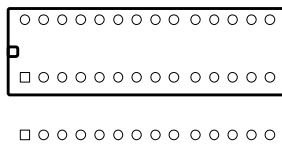
Crystal or Ceramic Resonator
 Y1, 2 = DC - 20MHZ
 C1-4 = 5 - 22pf
 TO-220 Regulator
 REG1 = 7805T
 C5 = .1 - 10uf
 C6 = .01 - .1uf



RC Oscillator
 $5k \leq R \leq 100K$
 C1, 3 ≥ 20 pf
 C2, 4 = none
 TO-92 Regulator
 REG1 = 78L05
 C5 = .1 - 10uf
 C6 = .01 - .1uf



U2 - 16C55 or C/F57 wide (.600)



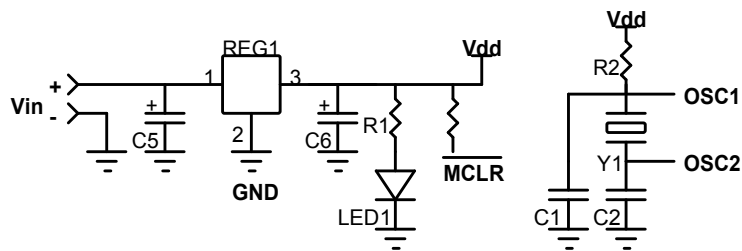
U2 - 16C55 or C/F57 skinny (.300)

ASSEMBLY NOTES:

Pin 1 of U1 and U2 is marked with a square pad.
 Note polarity of Vin, REG1, LED1 and any polarized capacitors.

Don't forget to pull-up Master Clear to Vdd.
 All unused inputs should be tied to +5V or ground.

SCHEMATIC:



SOURCES:

PIC® documentation is available from:
 Microchip Technology Inc.
 2355 West Chandler Blvd.
 Chandler AZ 85224-6199
 (480) 792-7200
 (480) 792-7277 fax

microEngineering Labs, Inc.

Box 60039 Colorado Springs CO 80960
 (719) 520-5323 (719) 520-1867 fax

<http://www.melabs.com>
 email: support@melabs.com